

PORTABLE EYE WASH STATION

EN 15154-1:2006 & EN 15154-2:2006/ANSI Z358.1:2014

EyeveX[®]
Our vision. Your safety

MATERIAL: High quality non-toxic ABS PLASTIC

VOLUME: 14 Gal/53L,

Offer 15 minutes uninterrupted washing

- Easy installation with no plumbing required can be easily placed near most work hazards with mounting device- Plate, Hanger, and 4 pcs screw in Stainless Steel 316.
 - Comes with drainage hose size: 20mm x 1M length x 2mm
 - Can be easily placed near most work hazards with a single bracket mounting device.
 - Large 53L capacity permits through flushing by providing 1.5 lpm over the entire 15-minute flushing period required as per ANSI Z358.1-2009 and ISO:10592-1982
 - Nozzles cover a wide area around the eyes.
- Simple strap design allows easy removal and activation for hands freeflushing, leaving hands free to hold eyelids open.
- Easy-to-use design features simple, highly visible operating instructions on the unit itself.

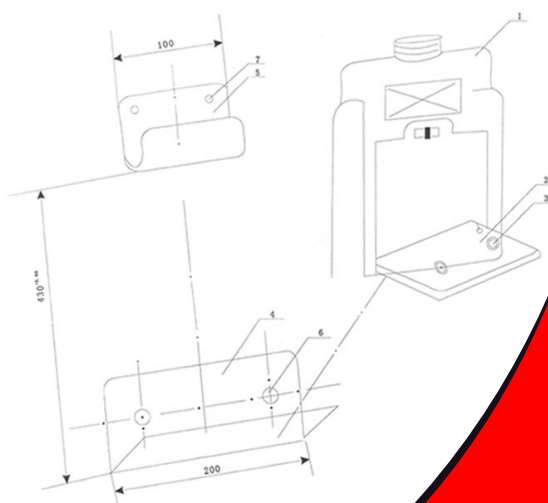


BASIC PARAMETERS

- Bucket size: 65 x 50 x 24 cm
- Complete Capacity: 14 Gallon (53L)
- Functional Capacity: 10 Gallon (37L)

PARTS:

1. Storage Barrel
2. Eyewash Assembly
3. Eyewash port
4. Holding Plate 316 SS
5. Hanger 316 SS
6. Mounting Hole for Hanger 316 SS
7. Mounting Hole for Plate 316 SS
8. Drainage Hose 20mm x 1M length x 2mm



Continue on Page 2...



You can find further information at
www.eyevxsafety.com/products
(or by scanning the QR code).



Mfd. under License from:
EyeveX Safety U.S.A INC.,
1013 Centre Road, Suite 403-B
Wilmington, DE 19805, U.S.A

www.Eyevxsafety.com

Applications:

Chemical and Pharmaceutical work sites
 Fire and Emergency Teams, Hazmat vehicles
 Remote places in Mining, Agriculture and Construction
 Disaster Management Sites
 Ideal for locations where a plumbed water source is not available.

USER GUIDELINE:

1. The operator must have been accepted the training of "Correct Use of Emergency Eyewash Equipment".
2. Put an Eyewash Liquid into barrel; have to reach the level marked on the bucket to ensure the complete using time.
3. Pull down the eyewash assembly, let the liquid flow.
4. Open Eyes to let the liquid come in.
5. After washing, push up the eyewash assembly; go to a doctor if necessary.

PACKAGE

1 set/carton
 Carton Size: 65x25x50 cm
 Net Weight: 7.50 kgs
 Gross Weight: 8.00 kgs

HS CODE: 800700100000

Instruct all employees in the use of their emergency eyewash

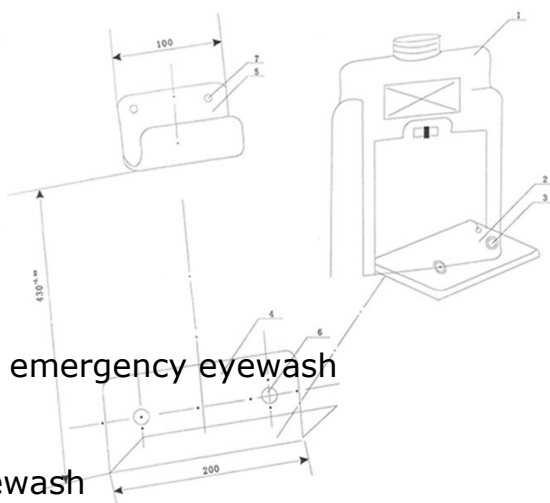
Operating Instructions:

1. Pull down manifold to activate the eyewash
2. Lower eyes to the stream of water, hold eyelids open with the thumb and forefingers.
3. Flush for more than 15 mins.
4. Seek medical attention Immediately.

Note: When full, the unit weight is approx. 53 liters of water for 15 minutes, wall bracket must be strong enough to support the weight

MADE IN CHINA

End of Page 2....



You can find further information at
www.eyevexsafety.com/products
 (or by scanning the QR code).



Mfd. under License from:
 EyeVex Safety U.S.A INC.,
 1013 Centre Road, Suite 403-B
 Wilmington, DE 19805, U.S.A

www.Eyevexsafety.com